

HRG18-Series Quick-Start Addendum

1900 Wellworth
Jackson, MI 49203

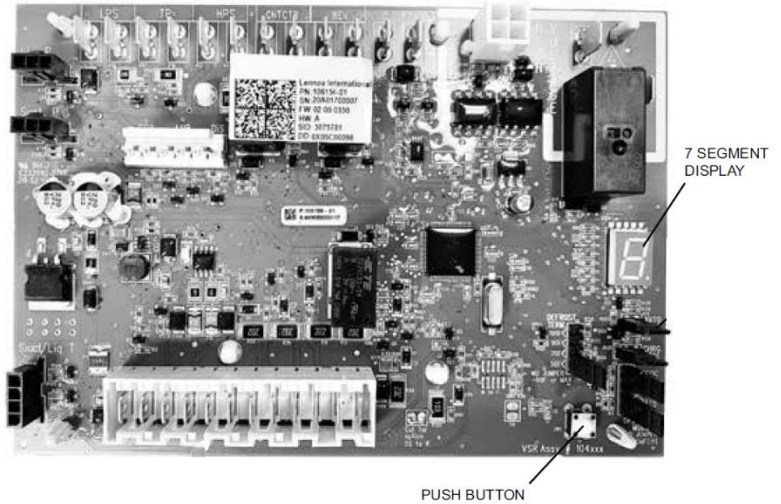
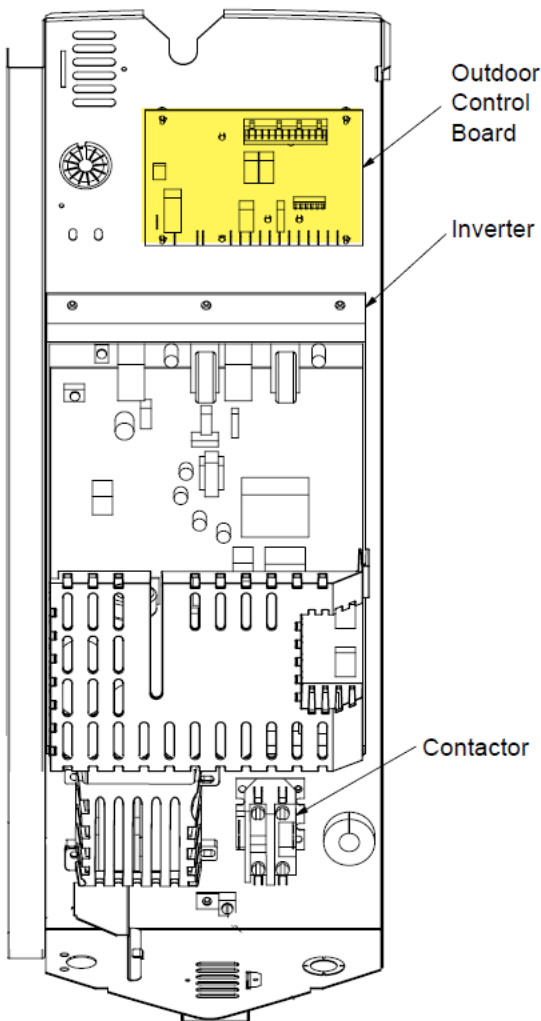


Four (4) notable steps that separate this product from standard/typical unitary heat pumps:

1. **CONFIRM PROPER CHARGE AND AIRFLOW** - The HRG18-Series of inverter heat pumps are designed and manufactured to meet ENERGY STAR criteria for efficiency when matched with appropriate Air Handlers and Coils. Failure to confirm may reduce energy efficiency and shorten equipment life.
 - Verify airflow through connecting air-handler or furnace manual(s).
 - Verify proper charge through *HRG18 Charging Sheet* (attached and on Control Panel)
*Follow charging procedures outlined in IOM or Service Manual.

2. **PROGRAM UNIT TYPE** – The HRG18-Series of inverter heat pumps are either factory set as a 3T model (HRG1836S1P) or a 5T model (HRG1860S1P). If the intended capacity for the application is either 3T or 5T, skip this step.

Units may be field converted to 2T (HRG1836S1P) or 4T (HRG1860S1P) to efficiently perform for the required application.



To Program Unit Type:

- A. Push and hold the push button on Outdoor Control Board until a DASH (-) symbol appears – release button. Once DASH is blinking, proceed to next step
- B. Push and hold button again until “PU” is displayed on the 7-Segment Display – release button.
- C. Push and hold button until the code for the correct unit type is displayed:

<u>UNIT CODE:</u>	<u>UNIT TYPE:</u>
58	2T
60	3T
62	4T
63	5T

- D. Unit will display unit type for 10 seconds. Press push button and hold for 3 seconds to store unit type. System will acknowledge new unit type with string of characters ending in updated system unit code.

HRG18-Series Quick-Start Addendum

1900 Wellworth
Jackson, MI 49203



- CONFIRM DESIRED HEATING/COOLING OPERATION MODES** - The HRG18-Series of inverter heat pumps has two (2) selectable heating modes (*Efficiency and Comfort*) and three (3) selectable cooling modes (*Efficiency, Normal, and Comfort*). Each mode varies performance based on a target refrigerant pressure and is easily selectable from a jumper position on the Outdoor Control Board.

<u>Heating Operation Mode</u>	<u>Jumper Position</u>	<u>Target Liquid Pressure</u>
Efficiency (default)	Pin 4 & Pin 5	Variable based on OAT
Comfort	Jumper Removed	425 PSIG

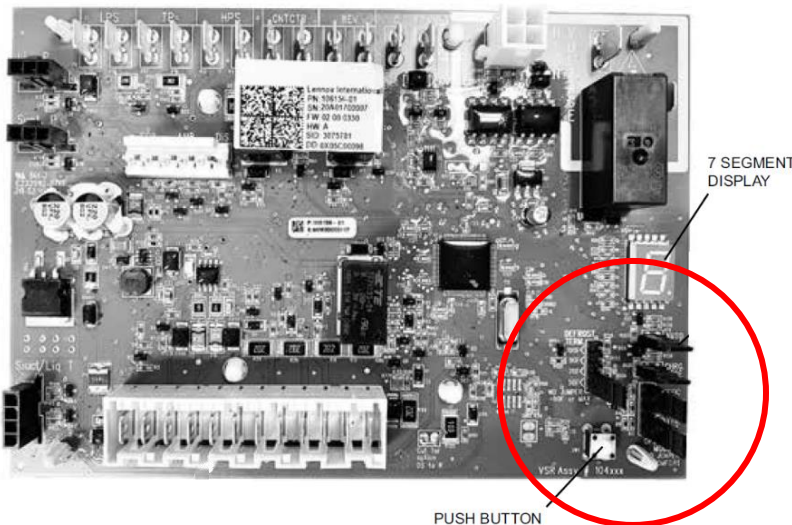
Heating Efficiency mode (default) provides the most efficient use of energy with less focus on comfort
Heating Comfort mode establishes a target liquid pressure of 425 PSIG for warm air comfort.

<u>Cooling Operation Mode</u>	<u>Jumper Position</u>	<u>Target Suction Pressure</u>
Efficiency (default)	Pin 1 & Pin 2	Variable based on OAT
Normal	Pin 2 & Pin 3	135 PSIG
Comfort	Jumper Removed	125 PSIG

Cooling Efficiency mode (default) provides the most efficient use of energy with less focus on comfort
Cooling Normal mode establishes a target suction pressure of 135 PSIG for a mix of efficiency and comfort
Cooling Comfort mode establishes a target suction pressure of 125 PSIG for comfort and dehumidification.

- CONFIRM DESIRED DEFROST TEMP** – The HRG18-Series of inverter heat pumps use a series of algorithms and preset parameters to determine how often and how long to defrost. The only adjustable feature is the termination temperature of the coil (temperature reached terminates defrost). The options are 50°F (default), 70°F, 90°F, and 100°F. Each temperature is easily selectable from a jumper position on the Outdoor Control Board.

NOTE: Colder climates may require a higher-than-default defrost termination temperature to ensure the outdoor coil is cleared of frost during the defrost operation. If not adequately cleared of frost, the heat pump may experience reduced heating performance or damage to the outdoor coil from the buildup of ice on the coil.



Defrost Termination Temperature Jumper

Heat/Cool Mode Jumpers